

# 2-channel Class D Power Amplifier

ITAMP-2120Tv2

ITAMP-2240Tv2

## IMPORTANT SAFETY INFORMATION

1. Read these instructions.
2. Keep these instructions.
3. Heed all warnings.
4. Follow all instructions.
5. Do not use this apparatus near water.
6. Clean only with dry cloth.
7. Do not block any ventilation openings. Install in accordance with the manufacturer's instructions.
8. Do not install near any heat sources such as radiators, heat registers, stoves, or other apparatus (including amplifiers) that produce heat.
9. Do not defeat the safety purpose of the polarized or grounding-type plug. A polarized plug has two blades with one wider than the other. A grounding type plug has two blades and a third grounding prong. The wide blade or the third prong is provided for your safety. If the provided plug does not fit into your outlet, consult an electrician for replacement of the obsolete outlet.
10. Protect the power cord from being walked on or pinched particularly at plugs, convenience receptacles, and the point where they exit from the apparatus.
11. Only use attachments/accessories specified by the manufacturer.
12. Use only with the cart, stand, tripod, bracket, or table specified by the manufacturer, or sold with the apparatus. When a cart is used, use caution when moving the cart/apparatus combination to avoid injury from tip-over.
13. Unplug this apparatus during lightning storms or when unused for long periods of time.
14. Refer all servicing to qualified service personnel. Servicing is required when the apparatus has been damaged in any way, such as power-supply cord or plug is damaged, liquid has been spilled or objects have fallen into the apparatus, the apparatus has been exposed to rain or moisture, does not operate normally, or has been dropped.
15. This appliance shall not be exposed to dripping or splashing water and that no object filled with liquid such as vases shall be placed on the apparatus.
16. Plug this apparatus to the proper wall outlet and make the plug to be disconnected readily operable.
17. Main plug is used as disconnected device and it should remain readily operable during intended use. In order to disconnect the apparatus from the mains completely, the mains plug should be disconnected from the mains socket outlet completely.
18. **WARNING:** To reduce the risk of fire or electric shock, do not expose this apparatus to rain or moisture.
19. An appliance with a protective earth terminal should be connected to a mains outlet with a protective earth connection.

### WARNING!

TO PREVENT FIRE OR SHOCK HAZARD, DO NOT USE THE PLUG WITH AN EXTENSION CORD, RECEPTACLE OR OTHER OUTLET UNLESS THE BLADES CAN BE FULLY INSERTED TO PREVENT BLADE EXPOSURE.

TO REDUCE THE RISK OF FIRE OR ELECTRIC SHOCK, DO NOT EXPOSE THIS APPLIANCE TO RAIN OR MOISTURE.

TO PREVENT ELECTRICAL SHOCK,  
MATCH WIDE BLADE PLUG TO WIDE SLOT, FULLY INSERT.



The lightning flash with arrowhead symbol, within an equilateral triangle, is intended to alert the user to the presence of uninsulated "dangerous voltage" within the product's enclosure that may be of sufficient magnitude to constitute a risk of electric shock to persons.

#### CAUTION

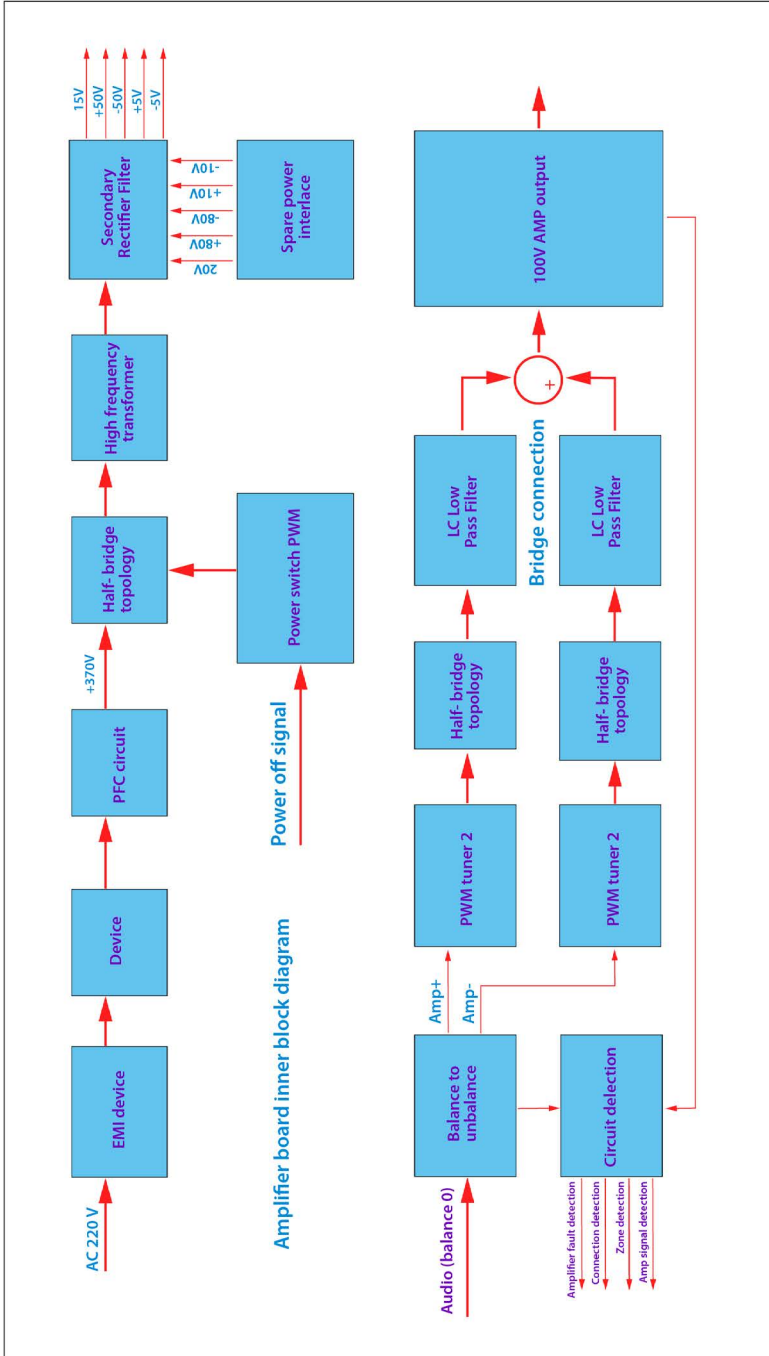
RISK OF ELECTRIC SHOCK  
DO NOT OPEN

**WARNING:** TO REDUCE THE RISK OF ELECTRIC SHOCK, DO NOT REMOVE COVER (OR BACK). NO USER SERVICEABLE PARTS INSIDE. REFER SERVICING TO QUALIFIED SERVICE PERSONNEL.



The exclamation point within an equilateral triangle is intended to alert the user to the presence of important operating and maintenance (servicing) instructions in the literature accompanying the appliance.

# BLOCK DIAGRAM



## SPEAKER CONNECTION

Before connecting speakers, disconnect the AC power cable. Note the proper connecting terminals as shown below. Make sure that the total impedance is not less than the rated impedance indicated.

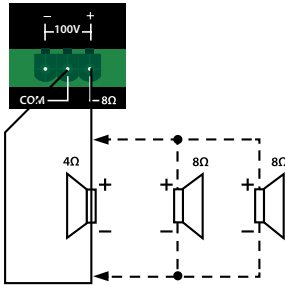
### Connecting 4-160 Speaker Systems

When connecting conventional 4-160 speaker systems, connect the speaker's positive (+) side to the terminal labeled 4-160. Connect the speaker's negative (-) side to the terminal labeled COM.

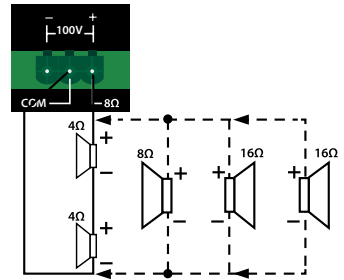
### Connecting High-Voltage Distributed Speaker Systems

When connecting a low-impedance (100V) speaker system in parallel, connect the speaker's positive (+) side to the terminal labeled 100V. Connect the speaker's negative (-) side to the terminal labeled COM.

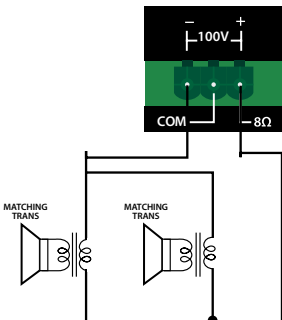
#### FOR 4Ω LOW IMPEDANCE SPEAKER CONNECTION



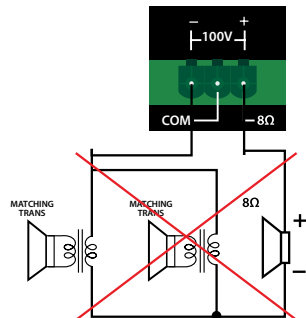
#### FOR 8Ω LOW IMPEDANCE SPEAKER CONNECTION



#### FOR 100V SPEAKER WITH TRANSFORMER CONNECTION



#### WRONG SPEAKER CONNECTION



## FEATURES

- Switching power technology digital power amplifier
- Class-D PA power amplifier of minimum power consumption
- Less rack space and less heat generation
- Two channel power amplifier into 19" rack mount unit
- Rated power output at 120W, 240W, 350W to 500W by two channels
- Two channel separate speaker outputs 4-16Ω/100V
- Balanced XLR input by phoenix connector for two channels
- Each input with separate gain control.
- Each channel with high-cut filter
- Built-in auto standby feature to save power consumption
- Separate channel indicators for protection, clip, input and output
- Complete short circuit, overload, high temp, clip and DC protection
- Wide AC input from 110V to 230V input
- DC 24V battery input at order request with additional cost

## DESCRIPTION

The digital class-D power amplifier is of switching power technology, which features of minimum power consumption and much higher efficiency up to 85%, moreover it helps to save installation rack space, generate less heat so as to extend its performance life span as a result.

The digital class-D amplifiers are of rated power output at 120W, 240W, 350W & 500W by two channels, so it could be used as two zone multiple sources public address system at minimum cost. The versatile loudspeaker outputs of both high impedance 100V & low impedance 4ohms enable it meet both PA fixed installation and Hi-fi stereo sound installation jobs.

There are two balanced inputs by phoenix connector for each channel with gain control. Two separate zone speaker outputs both by 100V & 4-16ohms. The built-in two channel separate high-pass filters could be enabled or disabled through the dip switch pre-setting.

Automatic standby enable after no detection of signal input for one minute, immediately wake up at sight of any input. Visual working status indicators include protection, clip, input and output for easy supervision. With complete short circuit, overload, high temp, clip and DC protection.

Wide AC power supply from 115V to 230V, thus it support worldwide sound system installation. DC24V battery input is optional at request.



## 1. PORT

Protection indicator will light on in orange once the amplifier comes into protection status. The protection maybe resulted from speaker line short circuit, speaker line open circuit, amplifier overload and inner working temperature over 55t, this indicator give visually guidance ask for repair and It will light o (once these failures been repaired). There are two separate protection indicators for each two channels.

## 2. CLIP

Clip indicator will light on in red once the input or output is too high. There are two separate CLIP indicators for each two channels.

## 3. INPUT

Input indicator will light on in green once there is any input signal has been detected. There are two separate input indicators for each two channels.

## 4. OUPUT

Output indicator will light on in green once there is output signal has been passed. There are four separate output indicators for each four channels.

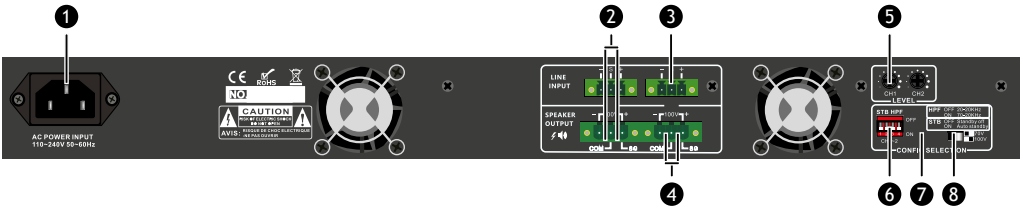
## 5. POWER

Power indicator will be light on in blue once the unit has been powered whether by AC or DC.

## 6. POWER SWITCH

Power switch used to power on and power o ffthe equipment.

## REAR PANEL



### 1. AC POWER Socket

AC power cord for input from 110V to 230V, the power cord itself is auto-switching.

### 2. 100V SPEAKER OUTPUT

The speaker outputs shall be connected to 100V line loudspeakers, the negative end to the speaker negative end and the positive end to the speaker positive end. There are four channel separate 100V speaker outputs which could be managed respectively. These speaker output are supplied in phoenix connector.

Never mixed the negative end and the positive one, which may cause the short circuit protection. Never connection the low impedance loudspeaker to these 100V ends, which may burn up the speaker or have heavy distortion.

### 3. LINE INPUT

The line input support both balanced or unbalanced input, these input are supplied in phoenix connectors. There are four channel separate line inputs which could be managed respectively.

### 4. 8Ω SPEAKER OUTPUT

The speaker outputs shall be connected to low impedance 80 loudspeakers, the negative end to the speaker negative end and the positive end to the speaker positive end. There are four channel separate 80 speaker outputs which could be managed respectively. These speaker output are supplied in phoenix connector. Never mixed the negative end and the positive one, which may cause the short circuit protection.

Never connection the 100V line loudspeaker to these 80 ends, which may burn up the speaker or have heavy distortion.

### 5. Volume Control

The Volume control is used to adjustment the input volume.

### 6. HIGH PASS FILTER

The high pass filter function will be enabled or disabled by pre-set the four channel separate dipswitch. There are four channel separate high pass filters which could be managed respectively.

### 7. AUTO-STANDBY

The Auto standby function will be enabled or disabled by pre-set the four channel separate dipswitch. The enabled auto-standby function will automatically power come into standby once no input has been detected within 2 minutes. The amplifier will immediately wake up once there is detection of input signal. There are four channel separate auto-standby dipswitch which could be managed respectively.

### 8. 100V and 70V line switch

This switch is for 100V and 70V line switch for the speaker line match.

## PARAMETER

MODEL	ITAMP-2120Tv2	ITAMP-2240Tv2	ITAMP-2350Tv2	ITAMP-2500Tv2
Description	2 Channel Class-D Power Amplifier			
Rated Power at 100V	2x120W	2x240W	2x350W	2x500W
Rated Power at 8 ohm	2x120W	2x240W	2x320W	2x350W
Frequency Response	H Cut OFF 20Hz-20KHz (+1/-2dB) H Cut ON 70Hz-20KHz (+1/-3dB)			
Input	0.775V, 0dBu, balanced phoenix connector by four channels			
Input Impedance	10K $\Omega$			
THD	<0.1% (1KHz/-3dBv, 100W)			
S/N Ratio	>80dB			
Crosstalk	>60dB, 1KHz, Max output			
Power Consumption	280W	250W	750W	1050W
Power Supply	AC 100-240V, 50-60Hz			
Dimension	484x420x44 mm			
Weight	7.0kg	7.3kg	7.8kg	8.2kg



